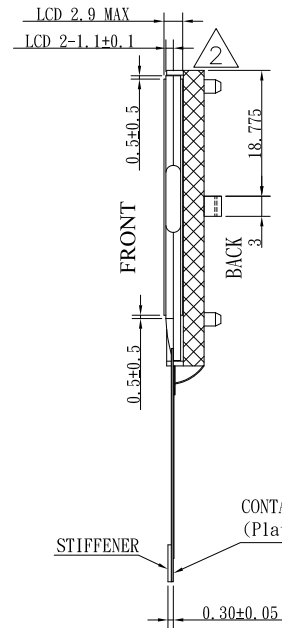
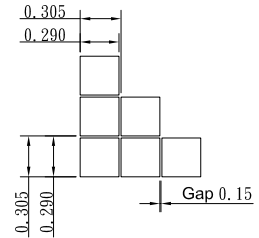
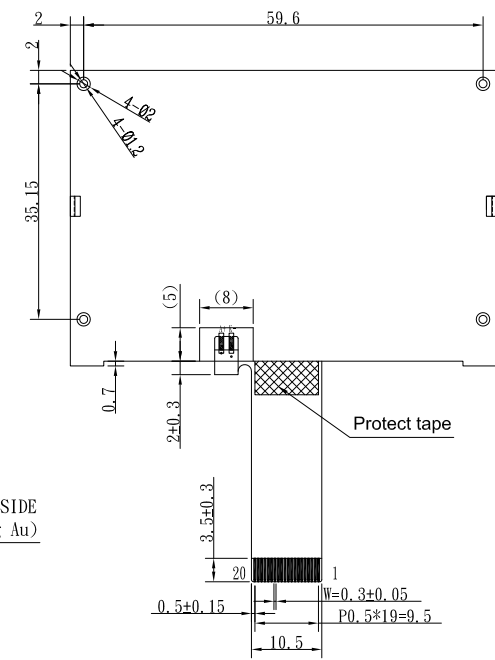


↑ 6 O' CLOCK VIEWING DIRECTION



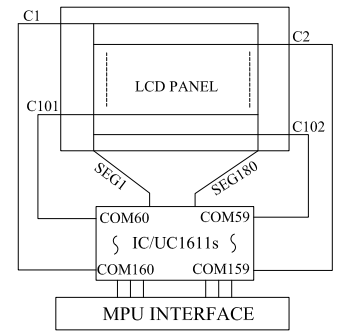
SECTION A-A'



DOTS DETAIL 20x

PIN FUNCTION

Pin	Pin Description
1	VB0+
2	VB1+
3	VB1-
4	VB0-
5	VA0+
6	VA1+
7	VA1-
8	VA0-
9	VLCD
10	VDD
11	VSS
12	BM0
13	CD
14	CS0
15	RST
16	SCK(D0)
17	SDA(D3)
18	D13
19	A+
20	K-



LCD LAYOUT

- NOTES:
1. DISPLAY TYPE:FSTN
 2. VIEW DIRECTION:6 O' CLOCK
 3. POLARIZER TYPE:TRANSFLECTIVE/POSITIVE
 4. DRIVER METHOD:1/102 DUTY 1/12 BIAS
 5. LCD DRIVING VOLTAGE:14.5V
 6. LOGIC SUPPLY VOLTAGE:3.0V
 7. OPERATING TEMP:-20°C~+70°C
 8. STORAGE TEMP:-30°C~+80°C
 9. CONTROLLER/DRIVE IC:UC1611s
 10. INTERFACE:S8(4-WIRE)/S9(3-WIRE)/I2C
 11. BACKLIGHT:WHITE (LED 4 SMD) Vf=3.2V, If=60mA (typ.)
 12. CONNECTOR TYPE:COG+FPC
 13. OTHER TOLERANCE:±0.2mm
 14. RoHS COMPLIANT

VER.	REVISED DESCRIPTION	REVISER	DATE
02	ADD THE SHIELD FILM OF BACKLIGHT	RITA	2017.03.28
01	FIRST ISSUE	JACK	2014.03.10

MII MULTI-INNO TECHNOLOGY CO.,LTD.

DRAWN BY:	JACK	2017.02.15	SCALE : 1/1	MODULE P/N:
CHECKED BY:			UNIT:	MI180102A-G
APPROVED BY:			mm	DESCRIPTION:
VERSION NO:	01			GRAPHIC MODULE